

BULGING NAME: LF130073-BB

SOLID CONDUCTOR: LF170082-BBBA & LF170081-BBB
 SOLID CONDUCTOR: LF170082-BBBA & LF170081-BBB
 SOLID CONDUCTOR: LF170082-BBBA & LF170081-BBB
 SOLID CONDUCTOR: LF170082-BBBA & LF170081-BBB

INNER TERMINAL		
Catalogue No	D. cable	MASS
LF170080-A	5	
LF170080-B	11	
LF170080-C	13	
LF170080-D	15	
LF170080-E	18	
LF170080-F	30	
LF170080-G	42	
LF170080-H	45	

OUTER TERMINAL			
Catalogue No	MATERIAL	MASS	D. STUD
LF170079-A	AL	23	60
LF170079-B	AL	16	30
LF170079-C	CU	62	60
LF170079-D	CU	36	30
LF170079-E	CU/SN	62	60
LF170079-F	CU/SN	36	30
LF170079-G	CU/AG	62	60
LF170079-H	CU/AG	36	30

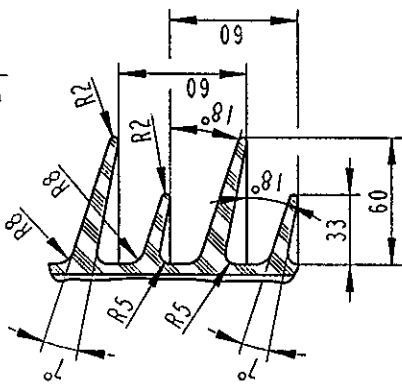
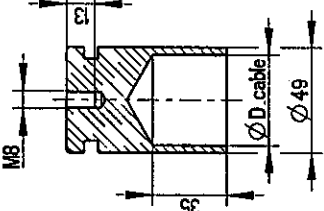
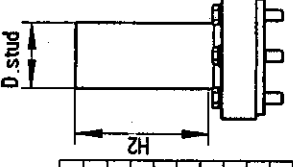
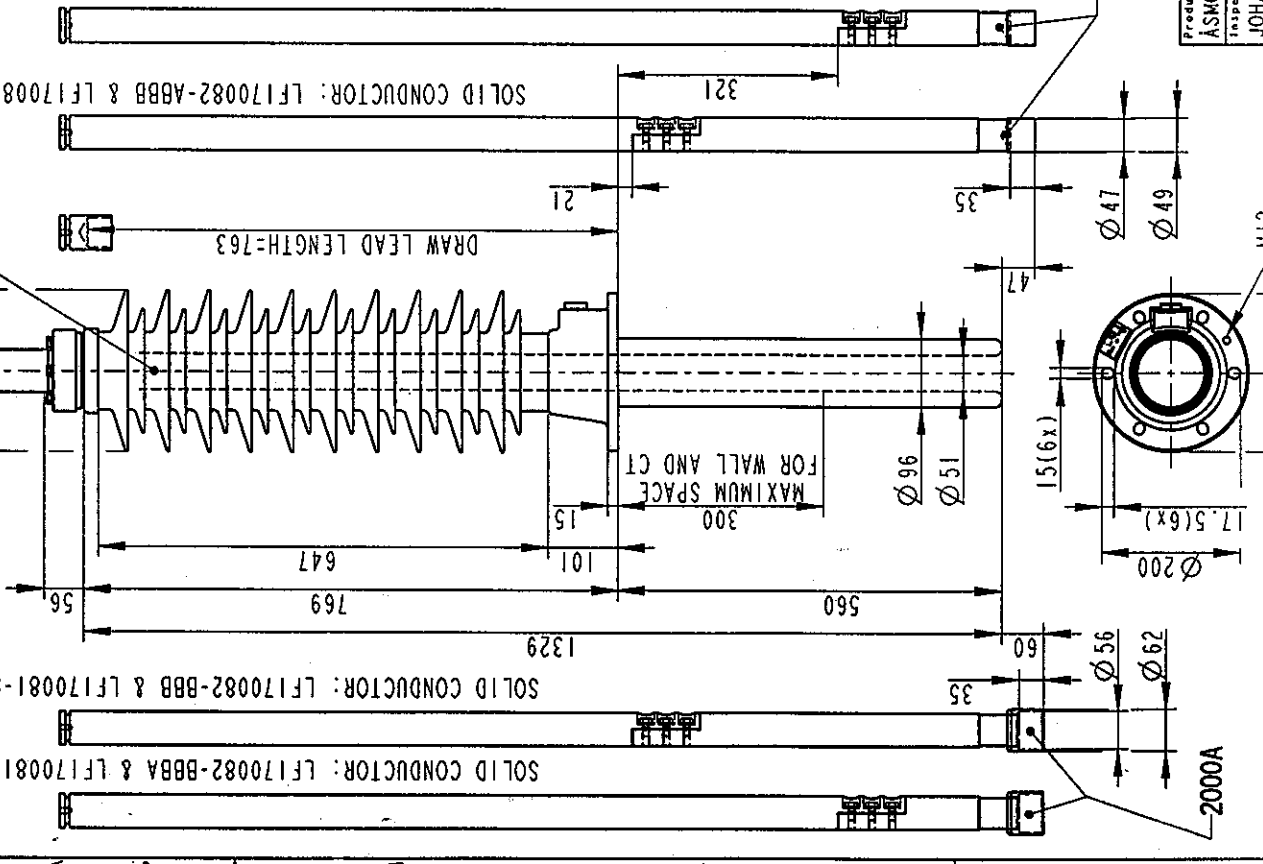


ABB Components		Luhja, Sweden	
GSA73-0A/2000/03		LF30073-BB	
No.	U/Vy	W	W
	73/73	2000 A	50/60 Hz
	U/S/AC	350 / - / 150	V
	M 20	kg L	560 mm V 0-90
	C1	pF	Tan δ
	C2	pF	Tan δ

Signatures acc. to
 Revision 0 are valid
 Signaturer enligt
 Revision 0 gäller

Max 1600A



ELECTRICAL DATA, according to IEC 137

Ratings	Rated voltage	73 kV
	Max phase to earth voltage, temporary	73 kV
	Max current with Cu-conductor	2000 A
	Max current with stranded cable 740 mm ²	1000 A
	Dry lightning impulse	350 kV
	Wet power frequency	140 kV
	Dry power frequency	160 kV
	Nominal capacitance	494 pF

GENERAL DATA, according to IEC 137

Silicone rubber insulator	Creepage distance	2323 mm
	Protected creepage distance	1000 mm
	Colour	GREY RAL 7035
	Mass bushing	20 kg
	Cantilever test load, heavy load	3150 N
	Max cantilever operating load, bushing	1575 N
	Temp class	CLASS 2
	Mounting and service instructions	2750 515-115

ELECTRICAL DATA according to ANSI C57.19.00

	Insulation class	69 kV
	Rated max line to ground voltage	44-kV
	Max current with Cu-conductor	2000 A
	Max current with stranded cable 740 mm ²	1000 A

Dim. requirements acc. to C57.19.01 not fulfilled.

Reg. No.		Title	
Responsible department	COM/BKU 96 44	OIL-AIR BUSHING	
Table over department	JACOBSON	GSA73-0A/2000/0.3	
Database	JACOBSON	Document No	2751362-BBB
		Page	1(1)
		Language	82

The factory will accept no responsibility for the design and the construction of the bushing without express authority in writing from the factory.